

Wall mounted  
Elyps 90 cm  
Stainless steel



EAN 5414425070503

## Energy label

▪ Energy Efficiency class (EEIhood)	B
▪ Annual Energy Consumption (kWh/year) (AEChood)	46,1
▪ Fluid Dynamic Efficiency class (FDEhood)	B
▪ Lighting Efficiency class (LEhood)	A
▪ Grease Filtering Efficiency class (GFEhood)	E

## Functions & features

▪ Control method	Push buttons
▪ Number of speeds	3 + power
▪ Automatic Power revert (minutes)	6
▪ Motor	Integrated
▪ Sound absorber	Integrated
▪ InTouch function	Optional
▪ Auto stop	▪
▪ Delayed switch off (minutes)	10
▪ Number of grease filters	2
▪ Grease filter	6050020
▪ Grease filter cleaning indication	▪
▪ Recirculation filter cleaning indication	-

## Dimensions

▪ Product dimensions exhaust (WxDxHmin-Hmax) (mm)	898 x 520 x 680 - 1160
▪ Product dimensions recirculation (WxDxHmin-Hmax) (mm)	898 x 520 x -
▪ Max height optional chimney exhaust (mm)	1520
▪ Advised mounting height induction hobs (Hmin-Hmax) (mm)	650 - 750
▪ Advised mounting height gas hobs (Hmin-Hmax) (mm)	650 - 750
▪ Advised mounting height ceramic hobs (Hmin-Hmax) (mm)	600 - 750
▪ Diameter outlet (mm)	150
▪ Position exhaust	Top

## Lighting

▪ Functional lighting type	Led
▪ Dimmable light	-
▪ Soft-ON/OFF	-
▪ Total energy consumption functional light (W)	7

## Airflow and noise level

▪ Airflow (m³/h) measured according to EN 61591	
▪ Sound regulation according to EN 60704-2-13	
▪ Airflow speed 1 (m³/h) / Max Pressure speed 1 (Pa)	192 / 294
▪ Airflow speed 2 (m³/h) / Max Pressure speed 2 (Pa)	259 / 286
▪ Airflow speed 3 (m³/h) / Max Pressure speed 3 (Pa)	347 / 328

**Airflow and noise level**

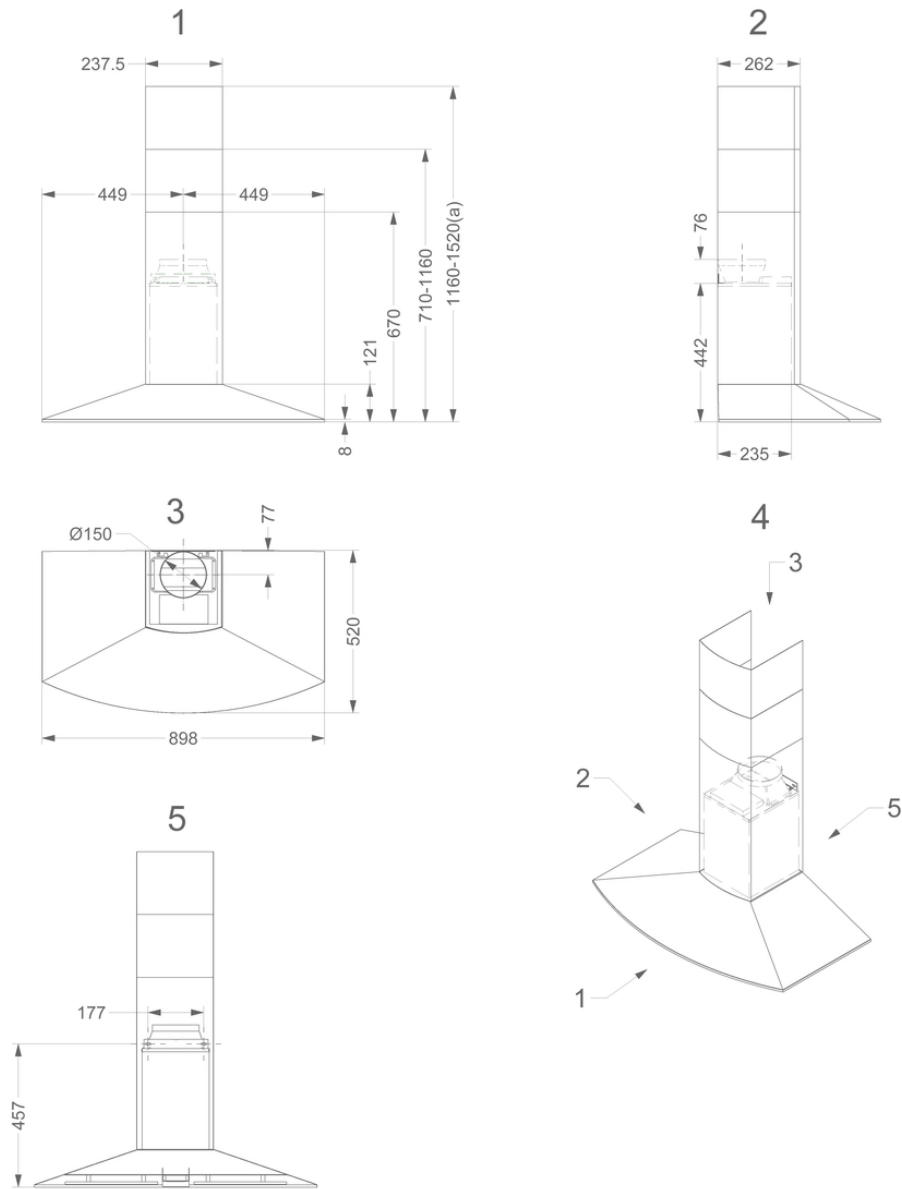
---

▪ Airflow Powerspeed (m <sup>3</sup> /h) / Max Pressure Powerspeed (Pa)	458 / 354
▪ Sound pressure speed 1 (dB(A)) / Sound power speed 1 (dB(A))	31 / 44
▪ Sound pressure speed 2 (dB(A)) / Sound power speed 2 (dB(A))	37 / 50
▪ Sound pressure speed 3 (dB(A)) / Sound power speed 3 (dB(A))	42 / 55
▪ Sound pressure Powerspeed (dB(A)) / Sound Powerspeed (dB(A))	46 / 59

**Technical specifications**

---

▪ Maximum power	142
▪ Voltage (V)	220-230
▪ Frequency (Hz)	50
▪ Length power supply cord (m)	1,3
▪ Power consumption in stand-by-mode (Ps) (W)	0.29
▪ Net weight (kg)	26,2



## Installation accessories

---

### Back panel & chimney extensions

- 6050100
- 150200
- 150275

Chimney extension 86 cm

Backsplash panel 90 cm stainless steel height 69 cm

Backsplash panel 90 cm stainless steel h 75 cm

## Accessories

---

### Control kit



990021

InTouch Kit incl. remote control

Efficiency Curve

